

阅读申明

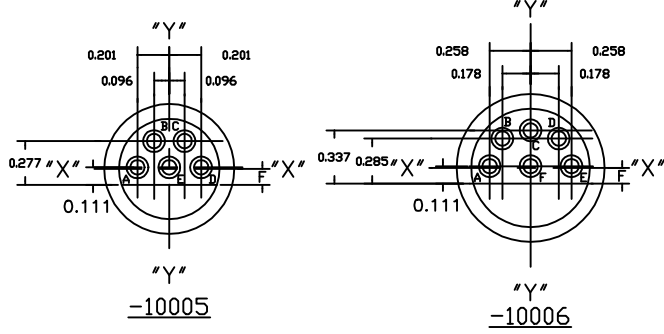
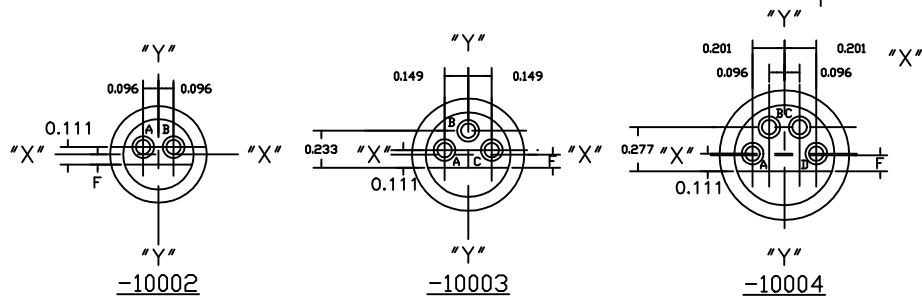
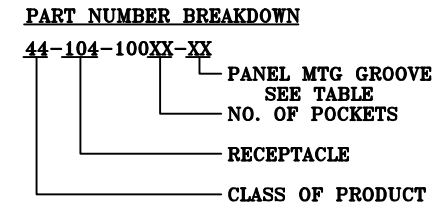
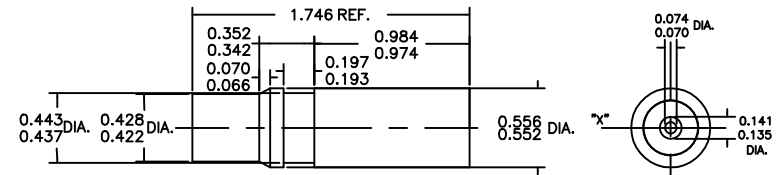
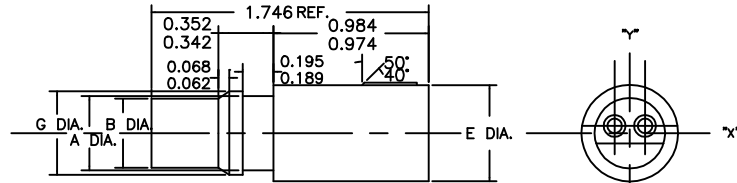
- 1.本站收集的数据手册和产品资料都来自互联网，版权归原作者所有。如读者和版权方有任何异议请及时告之，我们将妥善解决。
- 2.本站提供的中文数据手册是英文数据手册的中文翻译，其目的是协助用户阅读，该译文无法自动跟随原稿更新，同时也可能存在翻译上的不当。建议读者以英文原稿为参考以便获得更精准的信息。
- 3.本站提供的产品资料，来自厂商的技术支持或者使用者的心得体会等，其内容可能存在描述上的差异，建议读者做出适当判断。
- 4.如需与我们联系，请发邮件到marketing@iczoom.com，主题请标有“数据手册”字样。

Read Statement

1. The datasheets and other product information on the site are all from network reference or other public materials, and the copyright belongs to the original author and original published source. If readers and copyright owners have any objections, please contact us and we will deal with it in a timely manner.
2. The Chinese datasheets provided on the website is a Chinese translation of the English datasheets. Its purpose is for reader's learning exchange only and do not involve commercial purposes. The translation cannot be automatically updated with the original manuscript, and there may also be improper translations. Readers are advised to use the English manuscript as a reference for more accurate information.
3. All product information provided on the website refer to solutions from manufacturers' technical support or users the contents may have differences in description, and readers are advised to take the original article as the standard.
4. If you have any questions, please contact us at marketing@iczoom.com and mark the subject with "Datasheets" .

This document is the property of Amphenol Corporation and is delivered on the express condition that it is not to be disclosed, reproduced or used in whole or in part for manufacture or sale by anyone other than Amphenol Corporation without the prior consent - and that no right is granted to disclose or to use any information in this document.

REVISIONS				
SYM	ZONE	DESCRIPTION	DATE	APPROVED
A	ECN#HK643	DRAWING RELEASE	12/29/93	Y.M.LEE
B		CHANGE PER ECN#HK650	1/06/94	Y.M.LEE



MATERIALS
 Insulator Body : Thermal Plastic Rubber Santoprene 101-73
 Plug Contact : Brass Olin Alloy
 Contact Plating : 0.0001 to 0.0003 inches Tin Plating

SPECIFICATIONS
 Voltage Rating : Limiting Operating Voltage At Sea Level, 250 Vots AC RMS
 Current Rating : 8 AMPS Continuous
 Temperature Range : Continuous Operation From -40°C To +125°C
 Wire Size : 14 , 16 & 18 AWG
 Overall Wire Insulation Diameter : 0.080 To 0.130 inches. (2.03 To 3.30 mm)
 Insulation Resistance : 5,000 Megaohms Min.
 Dielectric Withstanding Voltage : 1000 VRMS

CUSTOMER INFORMATION DRAWING

PART NUMBER	NUMBER OF POCKETS (REF)	A DIA.	B DIA.	C DIA.	D DIA.	E DIA.	F DIA.	G DIA.	DASH NO.	G DIA.	FOR MOUNTING PANEL THICKNESS (REF)
44-104-10001-XX	1	.443/.437	.428/.422	.348/.342	.395/.389	.500/.494	-	-			
44-104-10002-XX	2	.473/.467	.438/.432	.394/.388	.446/.440	.610/.604	.067/.061	.530/.524	-02	.197/.193	3/16
44-104-10003-XX	3	.574/.568	.539/.533	.486/.480	.538/.532	.711/.705	.084/.078	.631/.625			
44-104-10004-XX	4	.685/.679	.650/.644	.584/.578	.636/.630	.822/.816	.103/.097	.742/.736			
44-104-10005-XX	5	.685/.679	.650/.644	.584/.578	.636/.630	.822/.816	.103/.097	.742/.736			
44-104-10006-XX	6	.799/.793	.764/.758	.688/.682	.750/.744	.936/.930	.101/.098	.856/.850			

ITEM NO	PART OR IDENTIFICATION NO	NOMENCLATURE OR DESCRIPTION	QTY REQ'D
PARTS LIST			
UNLESS OTHERWISE SPECIFIED TOLERANCES U.S. METRIC		APPROVAL DATE	Amphenol <small>Amphenol East Asia Limited Manufacturing Operation</small>
X +/- XX +/- XXX +/- FRACTIONS +/- ANGLES +/-		DRAWN MAN WONG 11/28/93 CHECKED Y. M. LEE 1/06/94	
FOR MATERIALS AND FINISHES SEE NOTES		APPR.	TITLE RECEPTACLE CONNECTOR MINIATURE, 1 THRU 6 CONTACT
REMOVE SHARP EDGES		APPR.	
DIMENSIONS U.S. INCHES (METRIC) (MM)		ANGLE OF PROJECTION	SIZE DRAWING NO. REV.
			B C44-104-100XX-XX B
			SCALE NONE SHEET 1 OF 1